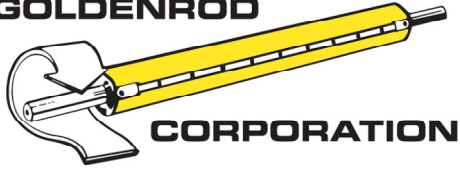


GOLDENROD



CORPORATION

goldenrodcorp.com 203-723-4400

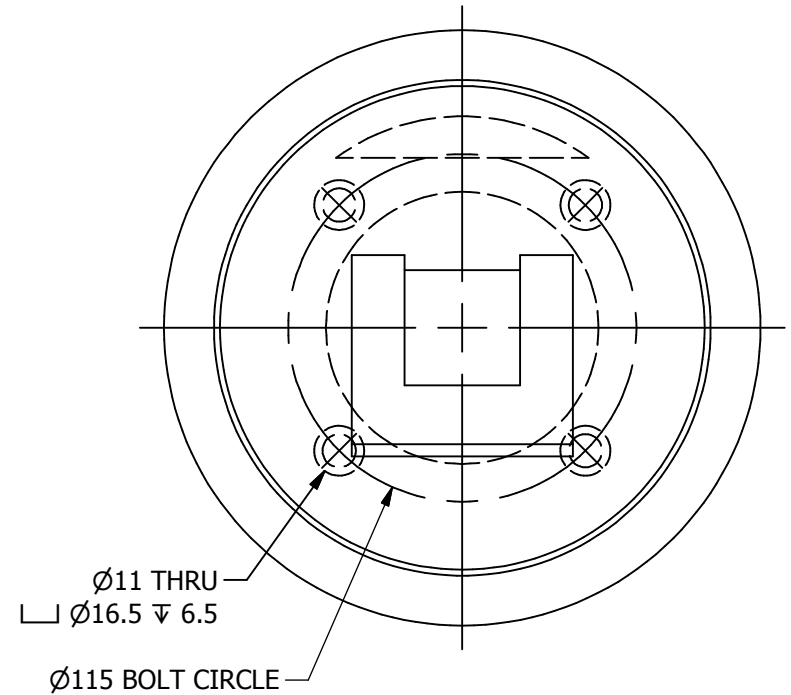
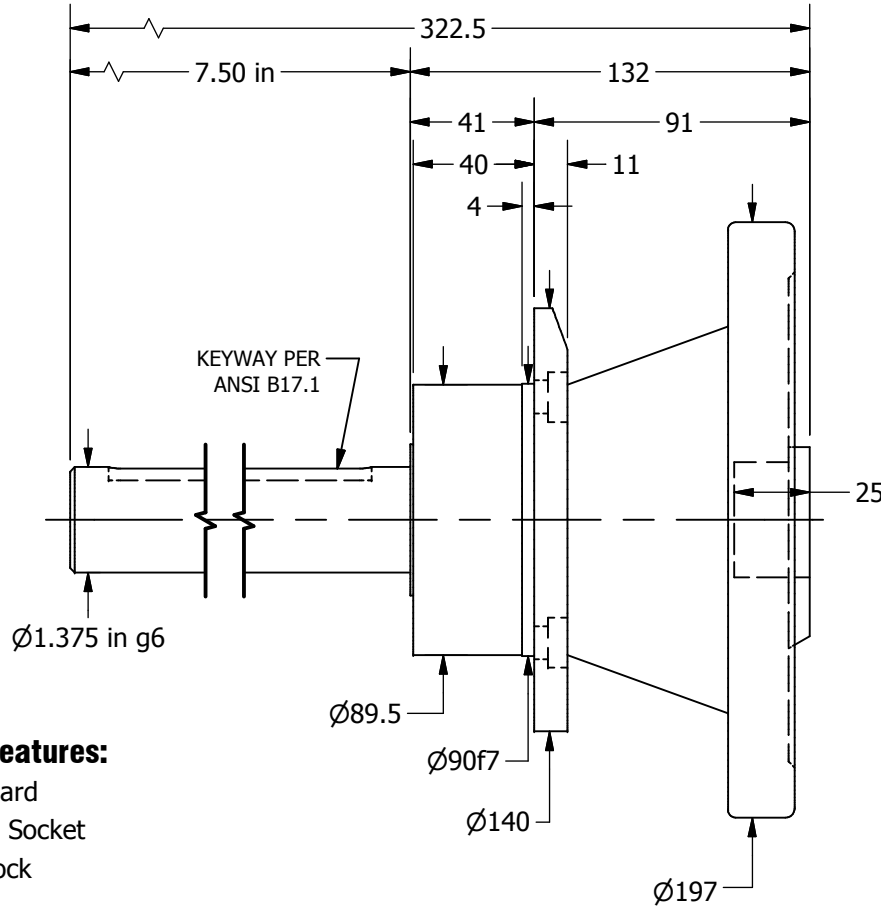
901 KLPF Safety Chucks

Medium Duty Tilt-Plate Style

901 KLPF1 (with shaft extension)

901 KLPF0 (without shaft extension)

Stock chuck shown, custom shafts and sockets available
 Dimensions in mm except where noted (1 inch = 25.4 mm)



Standard Features:

- Finger Guard
- Hardened Socket
- Manual Lock

Available by Request:

- Custom Shaft Extension
- Custom Socket (U style)

Load Capacity per Pair	Torque Capacity (each)	Max RPM	Max. Square Socket	Max. Shaft Diameter
4,400 lbs	700 lbf-ft	1000	2.00 in	1.375 in